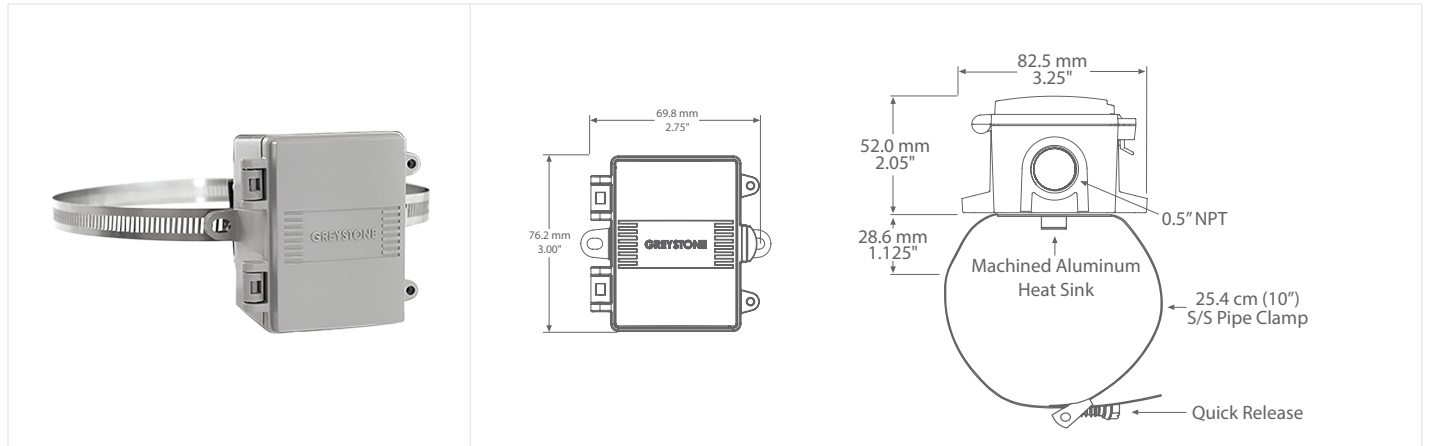




## STRAP-ON TEMPERATURE TRANSMITTER



### TXSO SERIES

## PRODUCT DESCRIPTION

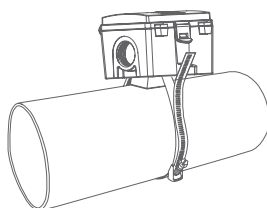
The single point strap-on temperature transmitter has a precision platinum RTD bonded to a machined aluminum heat sink. A 25.4 cm (10") S/S Pipe clamp is provided to secure the assembly to various sizes of pipes. All probes are constructed to provide excellent heat transfer, fast response and are potted to resist moisture penetration. A transmitter that provides a high accuracy signal with excellent long term stability, low hysteresis and fast response is available with various ranges.

## TYPICAL INSTALLATION

**For complete installation and wiring details, please refer to the product installation instructions.**

The strap-on temperature transmitter series can be mounted directly to various sizes of pipes and secured using a 254 mm (10") S/S pipe clamp. The 254 mm (10") S/S pipe clamp is a "Quick Release" type and can be separated by moving the tightening screw. Position the aluminum plate on the pipe so it makes the best contact, wrap the clamp around the pipe and re-assemble and tighten. For best results, thermal conductive compound should be applied to pipe prior to mounting the probe.

Wiring connections are made inside the enclosure.



## SPECIFICATIONS

<b>SENSOR TYPE</b>	1000 Ω platinum RTD
<b>SENSOR ACCURACY</b>	±0.3°C (±0.54°F) @ 0°C (32°F)
<b>PROBE SENSING RANGE</b>	-40 to 100°C (-40 to 212°F)
<b>WIRE MATERIAL</b>	PVC insulated, parallel bonded, 22 AWG
<b>PROBE MATERIAL</b>	Machined aluminum heat sink
<b>PROBE DIMENSIONS</b>	38.1mm x 12.7mm (1.5" x 0.5")
<b>PIPE STRAP</b>	25.4 cm (10") stainless steel
<b>OUTPUT SIGNAL</b>	4-20 mA current loop, 0-5 Vdc, or 0-10 Vdc (factory configured)
<b>TRANSMITTER ACCURACY</b>	±0.1% of span, including linearity
<b>OUTPUT DRIVE @ 24 VDC</b>	<b>Current:</b> 600 Ω maximum <b>Voltage:</b> 10 KΩ minimum
<b>POWER SUPPLY</b>	<b>0-5 Vdc:</b> 10-35 Vdc or 10-28 Vac <b>0-10 Vdc:</b> 15-35 Vdc or 15-28 Vac <b>4-20 mA:</b> 15-35 Vdc (loop-powered) or 22-28 Vac
<b>CURRENT CONSUMPTION</b>	<b>Current:</b> 20 mA <b>Voltage:</b> 5 mA
<b>MAXIMUM CURRENT (VOLTAGE)</b>	5 mA nominal
<b>MAXIMUM OUTPUT (VOLTAGE)</b>	Limited to <5.5 Vdc or 0-5 Vdc, <10.5 for 0-10 Vdc
<b>INPUT VOLTAGE EFFECT</b>	Negligible over specified operating range
<b>PROTECTION CIRCUITRY</b>	Reverse voltage protected and output limited
<b>AMBIENT OPERATING RANGE</b>	-40 to 50°C (-40 to 122°F), 5 to 95 %RH non-condensing
<b>ENCLOSURE</b>	<b>A:</b> ABS, UL94-V0, IP65 (NEMA 4X) <b>E:</b> Same as A, with thread adapter (1/2" NPT to M16), and cable gland fitting
<b>TERMINATION</b>	Screw terminal block (14 to 22 AWG)
<b>APPROVALS</b>	CE
<b>COUNTRY OF ORIGIN</b>	Canada

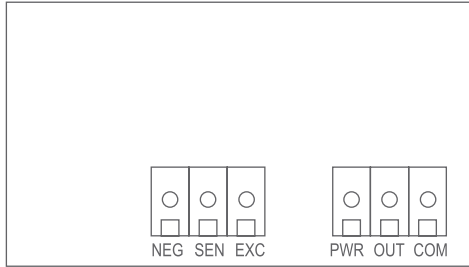
NOTE: This product is factory calibrated and any field adjustment will void the warranty.

## ACCESSORIES - INCLUDED WITH E ENCLOSURE OPTION





## WIRING INFORMATION



TERMINAL	FUNCTION
PWR	Power Supply
OUT	Analog Output
COM	Common
NEG	Temperature Sensor Input
SEN	
EXC	

## ORDERING

PRODUCT	TXSO	Strap-on Temperature Transmitter
ENCLOSURE	<b>A</b> <b>E</b>	ABS, weatherproof with hinged and gasketed cover Same as A, with thread adapter (1/2" NPT to M16), and cable gland fitting
SENSOR	<b>12X</b>	1000 Ω Platinum, IEC 751, 385 Alpha, thin film
OUTPUT	<b>A</b> <b>D</b> <b>E</b>	4-20mA 0-5 Vdc 0-10 Vdc
SCALED RANGE	<b>001</b> <b>002</b> <b>003</b> <b>*</b>	0 to 35°C (32 to 95°F) 0 to 50°C (32 to 122°F) 0 to 100°C (32 to 212°F) Custom ranges available

## PART NUMBER

TXSO

NOTE: Greystone Energy Systems, Inc. reserves the right to make design modifications without prior notice.